

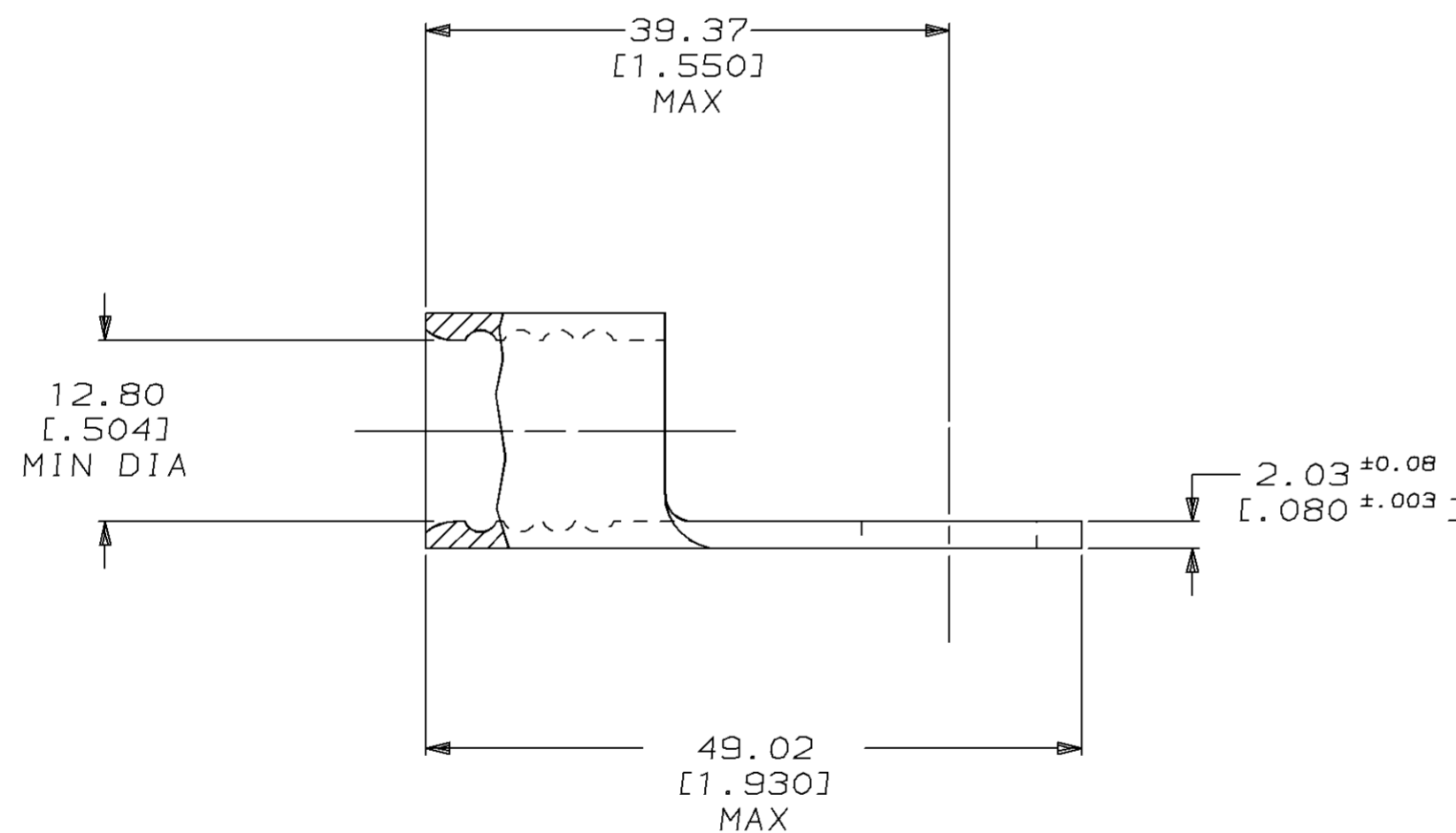
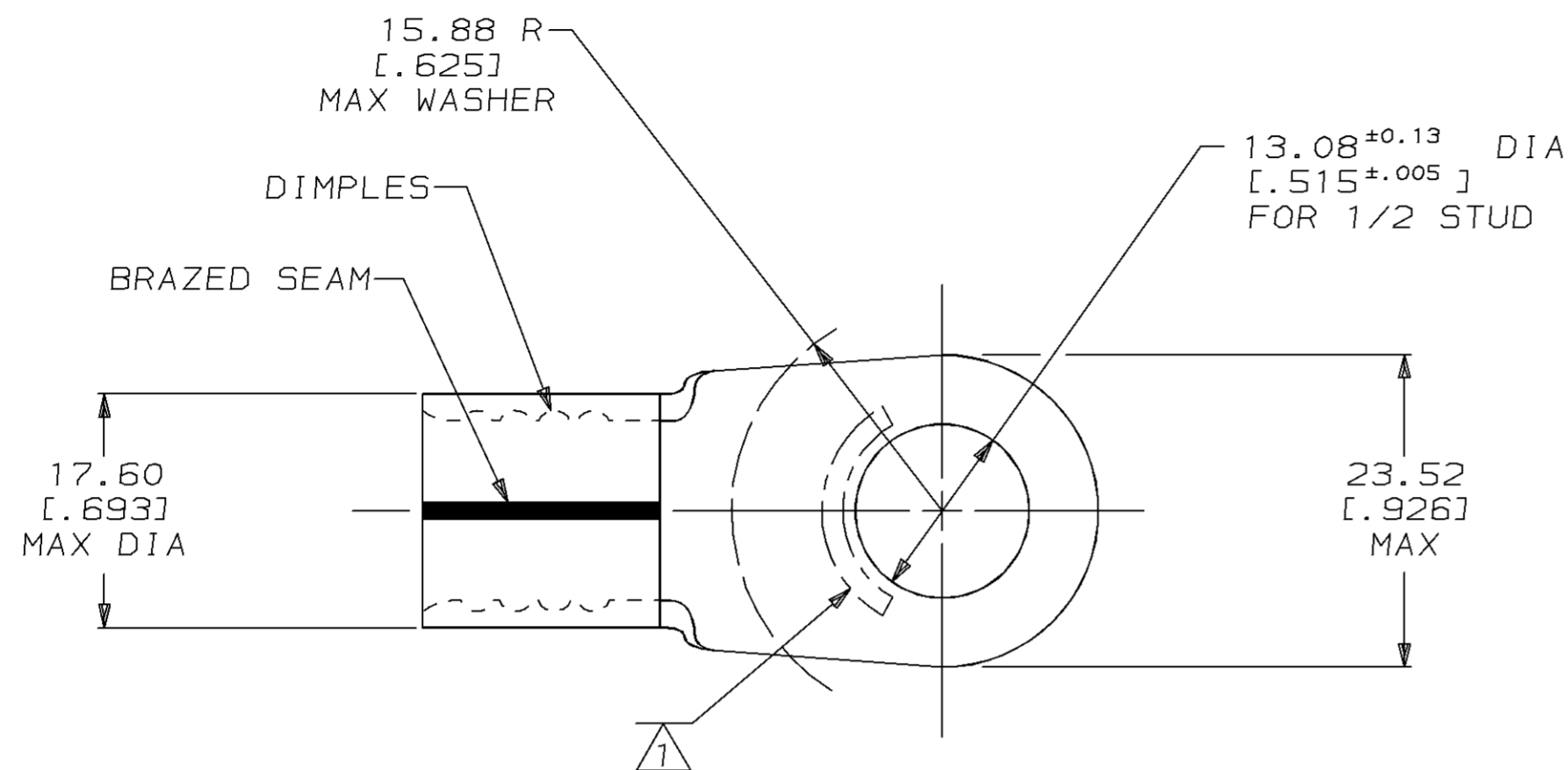
THIS DRAWING IS UNPUBLISHED. RELEASED FOR PUBLICATION , 19 .  
 © COPYRIGHT 19 BY AMP INCORPORATED. ALL INTERNATIONAL RIGHTS RESERVED.

AMP PART NO	MATERIAL	PKG TYPE	QTY
<del>8-321873-5</del>	M/F 8-321873-0	BOX	10
8-321873-6	M/F 8-321873-0	BOX	10

OBSOLETE

LOC	DIST	P	F	ZONE	LTR	DESCRIPTION	DATE	APPD
G	14				G	REVISED PER 0L20-0131-96	20NOV96	OKS DMS

**METRIC**  
 DIMENSIONS LISTED IN mm [ INCHES ]



<b>AMP</b> WIRE RANGE	<b>UL</b> E13288 Listed
2/0 AWG SOLID OR STRANDED	2/0 AWG STRANDED
<b>SR</b> LR7189 Certified	MILITARY P/N AND CLASS
2/0 AWG SOLID OR STRANDED	MS 20659-136 CLASS 2

- ① STAMP AMP 2/0W\* APPROX AS SHOWN
- ② TIN PLATE 0.00254[.000100] MIN THK PER MIL-T-10727
- ③ BRIGHT TIN LEAD PLATE 0.00254[.000100] MIN THK PER MIL-T-10727

③	2-321873-2
②	321873
FINISH	PART NO

**AMP INCORPORATED**  
**CUSTOMER SERVICE SYSTEMS**

MAX RECOMMENDED OPERATING TEMPERATURE:  
 170°C MAX

DO NOT SCALE PRINT. UNLESS SPECIFIED  
 DIMENSIONS IN mm [INCHES]  
 TOLERANCES ON:  
 2 PLC DEC ± 0.20[.008]  
 3 PLC DEC ± -  
 ANGLES ± -

DR 1/20/94  
 DK SCHRUM  
 CHK 1/21/94  
 AJ KAUFMAN

**AMP** AMP Incorporated  
 Harrisburg, PA 17105-3608

FOR ADDITIONAL PRODUCT INFORMATION OR COPIES OF DRAWINGS AND TECHNICAL DOCUMENTS

PRODUCT INFORMATION CENTER  
 1-800-522-6752

VOLTAGE RATING:  
 NOT APPLICABLE

MATERIAL  
 COPPER PER ASTM B-152 ANNEALED

APPD 1/21/94  
 RE ROSER

NAME  
**TERMINAL, RING TONGUE, SOLISTRAND™**

FOR APPLICATION TOOLING INFORMATION

TOOLING ASSISTANCE CENTER  
 1-800-722-1111

WIRE CROSS SECTIONAL AREA RANGE:  
 60.6-76.3mm<sup>2</sup> [119,500-150,500] CIR MILS  
 SOLID OR STRANDED

FINISH  
 SEE TABLE

APPD 1/21/94  
 JL MECKLEY

PRODUCT SPEC

SIZE CAGE CODE DRAWING NO  
 C 00779 G-321873

FOR ORDER ENTRY

1-800-526-5142

THIS DRAWING IS A CONTROLLED DOCUMENT FOR AMP INCORPORATED. IT IS SUBJECT TO CHANGE AND THE CONTROLLING ENGINEERING ORGANIZATION SHOULD BE CONTACTED FOR THE LATEST REVISION.

APPLICATION SPEC

-

WEIGHT -

SCALE 2:1 SHEET 1 OF 1